

## Pull-Down Closet Rod



- Allows Convenient Access To Clothing At Any Height
- Available In 3 Sizes
- Each Size Is Adjustable In Width
- 44 Lb. Weight Rating

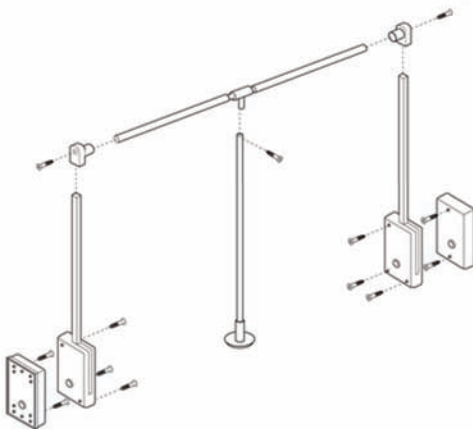
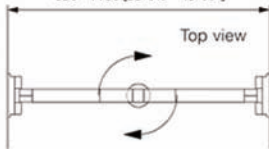


### ORDER NUMBER

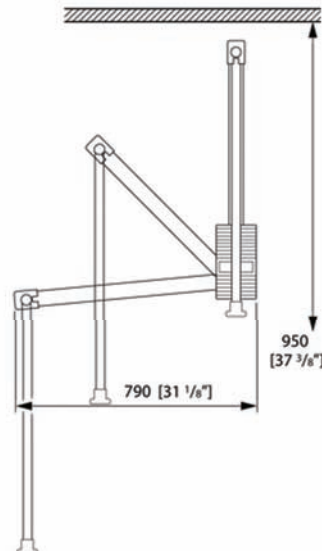
### FINISH / SIZE

<b>43-344</b>	450 - 600 (17 <sup>3</sup> / <sub>4</sub> " - 23 <sup>5</sup> / <sub>8</sub> ")
<b>43-346</b>	600 - 850 (23 <sup>5</sup> / <sub>8</sub> " - 33 <sup>7</sup> / <sub>16</sub> ")
<b>43-348</b>	850 - 1100 (33 <sup>7</sup> / <sub>16</sub> " - 43 <sup>1</sup> / <sub>8</sub> ")
<b>43-350</b>	Aluminum - 32 <sup>11</sup> / <sub>16</sub> " - 47 <sup>1</sup> / <sub>4</sub> "
<b>43-352</b>	Nickel/Black - 32 <sup>11</sup> / <sub>16</sub> " - 47 <sup>1</sup> / <sub>4</sub> "
<b>43-354</b>	Black - 32 <sup>11</sup> / <sub>16</sub> " - 47 <sup>1</sup> / <sub>4</sub> "
<b>43-356</b>	Aluminum - 23 <sup>5</sup> / <sub>8</sub> " - 32 <sup>11</sup> / <sub>16</sub> "
<b>43-358</b>	Nickel/Black - 23 <sup>5</sup> / <sub>8</sub> " - 32 <sup>11</sup> / <sub>16</sub> "
<b>43-360</b>	Black - 23 <sup>5</sup> / <sub>8</sub> " - 32 <sup>11</sup> / <sub>16</sub> "
<b>43-362</b>	Aluminum - 17 <sup>3</sup> / <sub>4</sub> " - 23 <sup>5</sup> / <sub>8</sub> "
<b>43-364</b>	Nickel/Black - 17 <sup>3</sup> / <sub>4</sub> " - 23 <sup>5</sup> / <sub>8</sub> "
<b>43-366</b>	Black - 17 <sup>3</sup> / <sub>4</sub> " - 23 <sup>5</sup> / <sub>8</sub> "

450 - 600 [17 <sup>3</sup>/<sub>4</sub>" - 23 <sup>5</sup>/<sub>8</sub>"]  
 600 - 850 [23 <sup>5</sup>/<sub>8</sub>" - 33 <sup>7</sup>/<sub>16</sub>"]  
 850 - 1100 [33 <sup>7</sup>/<sub>16</sub>" - 43 <sup>1</sup>/<sub>8</sub>"]



### Side view



# Closets

## VALLET ROD AND HANGER

### 12" Chrome Plated Valet Rod 5023

Also available in satin chrome and brass

Order Number **43-384**



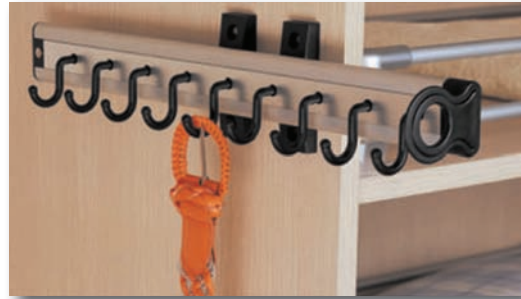
### Chrome Plated Hanger

Order Number

**43-384** .....Chrome

**43-385** .....Brass

## BELT RACK



Item No.	Content	Body Size	For External
		(W x D x H)	Carcase Width
<b>46-112</b>	1 Belt Rack	3 1/2" x 18" x 3 1/2"	6"

## PANT HOLDER



### Top Mount Full Extension

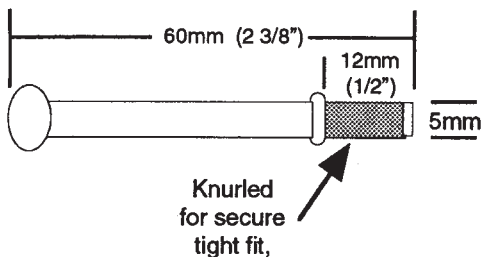
Item No.	Content	Body Size	For External
		(W x D x H)	Carcase Width
<b>46-106</b>	1 Pants Rack	13" x 18" x 4"	20"



### Side Mount Rack

Item No.	Content	Body Size	For External
		(W x D x H)	Carcase Width
<b>46-102</b>	1 Right Side Mount Rack	13" x 20" x 4"	15"
<b>46-104</b>	1 Left Side Mount Rack	13" x 20" x 4"	15"

## CHROME 5MM HANGING PEG



Unlimited uses such as hanging purses, ties, belts, etc.

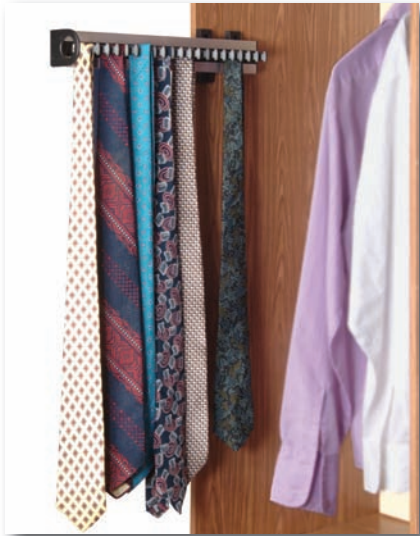
Fits 5mm hole – Chrome finish

Order Number **43-850**

Most of the merchandise in this catalog is available in all Hardware Imagination locations. If your selection isn't available at the store nearest you, we'll gladly order it from one of the other stores or through special order.

# Closets

## TIE RACK



Item No.	Content	Body Size (W x D x H)	For External Carcase Width
46-108	1 Tie Rack	3 1/2" x 18" x 3 1/2"	6"

## Belt Rack



Item No.	Content	Body Size (W x D x H)	For External Carcase Width
46-110	1 Tie & Belt Rack	3 1/2" x 18" x 3 1/2"	6"

## DELUXE SHOE PULL OUT

- Full Extension Ball Bearing Slides
- Adjustable Width
- Silver Epoxy Coated For Longer Finish Duration



Item No.	Content	Body Size (W x D x H)	For External Carcase Width
46-100	1 Deluxe Shoe Rack	27 1/2" - 31 1/4" x 18" x 6 1/4"	29 1/2" - 31 1/2"
Adjustable Width			

## Suspension Brackets

### Suspension Rail:

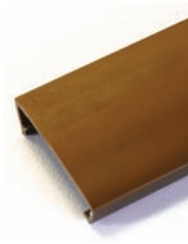
Suspension Rail will make quick work of any installation. The unique hole pattern allows the installer to quickly locate all of the stud locations.



Order Number	Description	Length	Material/Color
19-210	Suspension Rail	8'	Steel
19-219	Rail Cover	8'	Almond
19-206	Rail Cover	8'	Brown
19-217	Rail Cover	8'	White

### Description:

- Self-Centering Suspension Rail - 16" Center To Center
- Hole Pattern Repeats Itself For A Quick Installment
- Rail Cover Available In 7 Colors



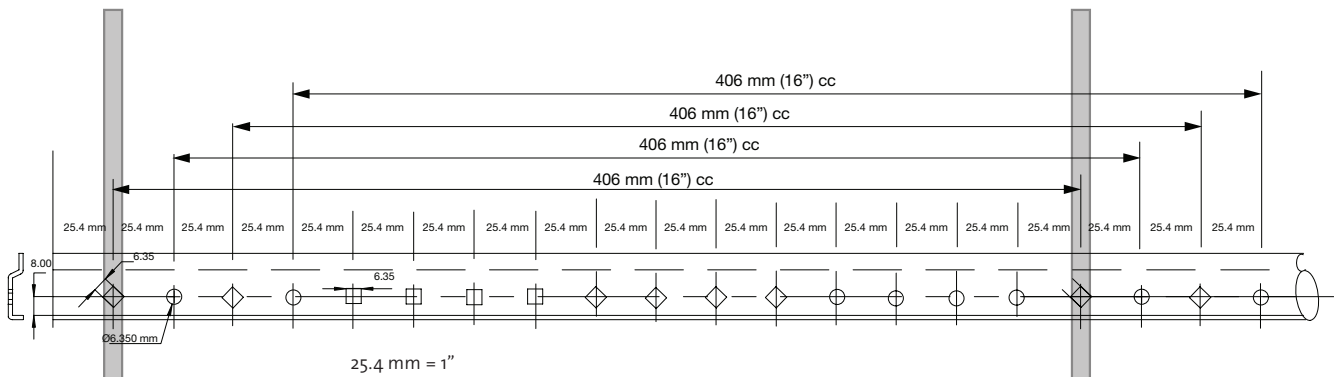
BROWN



ALMOND



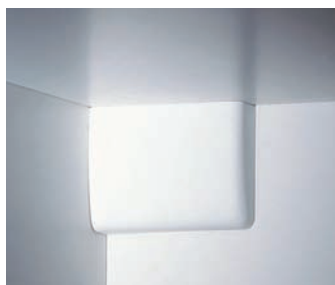
WHITE



Simply find the first stud, identify the hole, there will be a stud every time the pattern repeats.

# Closets

## Suspension Brackets



### Description:

- All Metal
- 286 Lbs. Carrying Capacity Per Wall Cabinet



Description	Color	Left	Right
Suspension Bracket	Steel	19-212	19-214
Bracket with Cover Cap	White	19-211	19-215
Bracket with Cover Cap	Almond	19-213	19-216
Bracket with Cover Cap	Brown	19-207	19-209

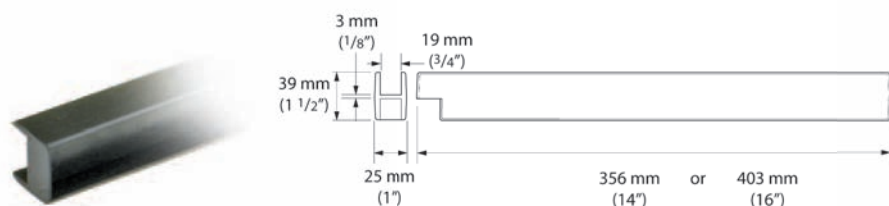


## BRIDGE SUPPORT

### Description:

- I-beam design provides superior support for 3/4" shelving
- Available in 14" and 16" lengths
- Both lengths are easily cut to size

### Bridge Support (90° Corner Bracket)



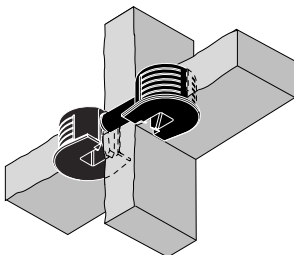
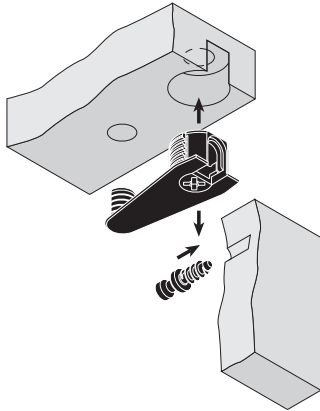
Description	14"	16"
White	19-240	19-241
Almond	19-242	19-243
Candlelight	19-244	19-245
Warm Cherry	19-246	19-247
Brown	19-248	19-249



## Cam and Dowel Fittings

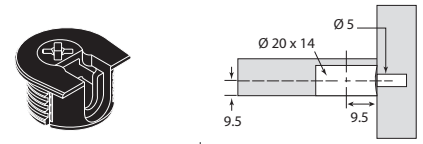
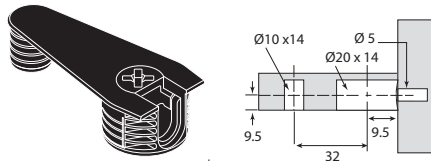
### Description:

- All Metal Or Metal/Plastic
- Strong Vibration-Proof Connection
- For 16 mm And 19 mm Material



Outrigger - 19 mm (3/4")

Non-outrigger - 19 mm (3/4")

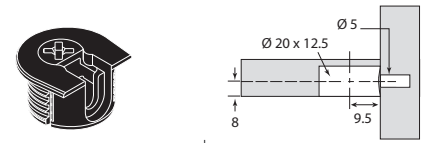
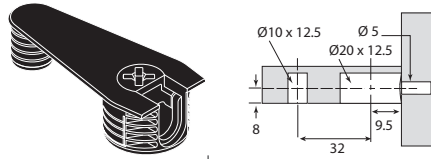


Order Number	Description
19-280	White
19-281	Almond
19-282	Brown
19-283	Black

Order Number	Description
19-270	White
19-271	Almond
19-272	Brown
19-273	Black
19-274	Zinc

Outrigger - 16 mm (5/8")

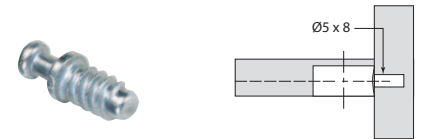
Non-outrigger - 16 mm (5/8")



Order Number	Description
19-283	White
19-285	Almond
19-286	Brown
19-287	Black

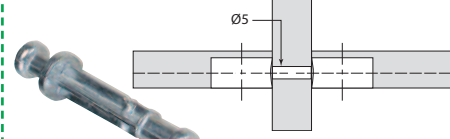
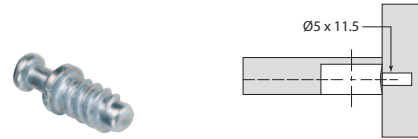
Order Number	Description
19-275	White
19-276	Almond
19-277	Brown
19-278	Black

Connecting Dowel Fittings



Order Number	Description
19-221	5mm X 12mm

Order Number	Description
19-224	5mm X 8mm



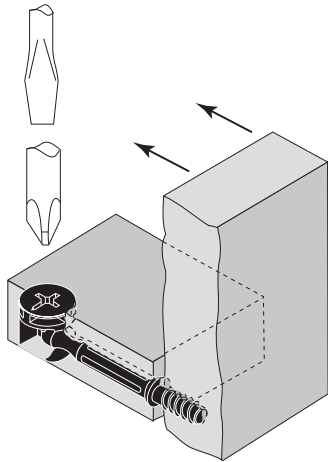
Order Number	Description
19-222	5mm X 11.5mm

Order Number	Description
19-225	Double Dowel 5mm

## Cam and Dowel Fittings

### Description:

- For 16 mm And 19 mm Material
- Mechanical Lock
- Resists Loosening After Installation

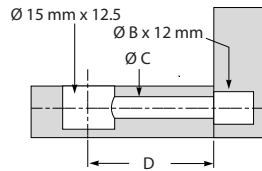


- Special Locking Feature Provides A Strong, Vibration-Proof Joint.
- Quickfit T12 Dowel Allows The Greatest Tolerance In The Market:  $-1/+3$  mm
- Choose From 3 Dowel Types.
- Suitable For Use With  $\varnothing 5$ ,  $\varnothing 8$  And  $\varnothing 10$  mm Panel To Panel Applications.

### Cam



16 mm (5/8")

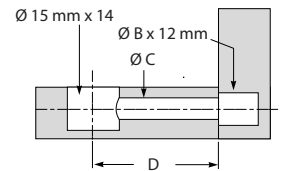


For 5/8" Panels  
16mm Panel Thickness

ORDER NUMBER  
Zinc Finish ..... 19-230



19 mm (3/4")



For 3/4" Panels  
19mm Panel Thickness

ORDER NUMBER  
Zinc Finish ..... 19-232

### Dowel Fittings



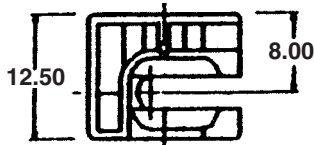
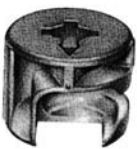
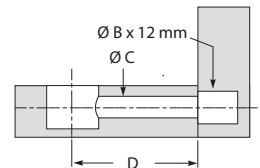
Quickfit TL2



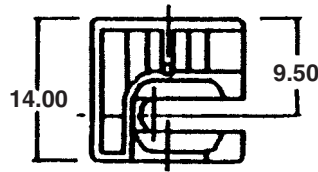
Quickfit Expandable  
dowel



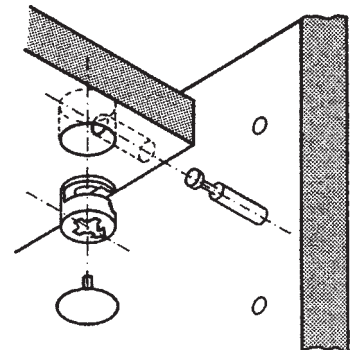
Screw-in



For 5/8" Panels  
16mm Panel Thickness  
ORDER NUMBER  
Zinc finish ..... 19-230



For 3/4" Panels  
19mm Panel Thickness  
ORDER NUMBER  
Zinc finish ..... 19-232



# Closets

## CLOSET RODS AND SOCKETS

### ROUND CLOSET ROD

ORDER NUMBER	DIMENSIONS	FINISH
<b>43-266</b>	1' x 10"	Stainless Steel
<b>43-818</b>	1-1/16 x 10'	Polished Brass
<b>43-822</b>	1-1/16 x 12'	Chrome on Steel

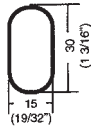


### END SOCKETS

ORDER NUMBER	SOCKET TYPE	SIZE	FINISH
<b>43-268</b>	Closed	1"	Chrome
<b>43-270</b>	Open	1-1/16"	Chrome

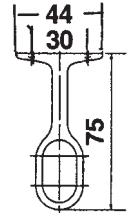
### OVAL CLOSET ROD

ORDER NUMBER	LENGTH	FINISH
<b>43-694</b>	8'	Nickel
<b>43-712</b>	10'	Nickel
<b>43-718</b>	12'	Nickel



### CENTER SUPPORT

ORDER NUMBER	FINISH
<b>43-680</b>	Chrome Plated



### END SOCKETS

ORDER NUMBER	Attachment	FINISH
<b>43-710</b>	Pins for 32mm	Nickel
<b>43-700</b>	Screw-On	Nickel



## CABINET HANGING SYSTEM

### Features

Adjustable Closet & Kitchen Hanging System

- Sold In Sets Of 2
- Screws And Anchors Included
- Steel Hanging Plate Also Included

TESTING, APRIL 2006

Pull out test strength 115kgs

Compression:

Middle Position of Cabinet – Max 280kgs

Upper Position of Cabinet – Max 200kgs

### ORDER NUMBER

**59-200**

